

lilitab **Floor Basic**

Packing List and Assembly Instructions

v.2.0

PLEASE READ!!!

IMPORTANT NOTICE!!!

Your included iPad devices are in an unlocked Kiosk mode status; this will allow you to connect the devices to your WIFI network. **PLEASE contact** Alan.Pine@library.ks.gov with the **CASE NUMBER** that you received **AFTER** you have connected **BOTH** iPad's to your WIFI network **AND** you have opened the **MokiTouch 2** Kiosk application on **BOTH** so the app can be locked again. **If you're not planning to use both iPad the iPad number on the back of the iPad will need to be sent to the email address above.**

Before shipping to the next destination and while the iPad is connect to your WIFI network, **PLEASE contact** Alan.Pine@library.ks.gov so that the devices can be unlocked again so the new location can add them to **THEIR WIFI** network.

State Library Technical Contact
Alan Pine - 785-296-2610
[Alan .Pine@library.ks.gov](mailto:Alan.Pine@library.ks.gov)

TABLE OF CONTENTS

LILITAB FLOOR BASIC PACKAGING AND ASSEMBLY INSTRUCTIONS

lilitab Floor Basic Assembly Preparation	3
lilitab Floor Basic Features	4
lilitab Floor Basic Mount Options	5
lilitab Floor Basic Assembly Instructions	6
Using the iPad Power Button Trigger and MagKey	8
lilitab Cleaning Instructions	9

ASSEMBLY PREPARATION

TO ASSEMBLE YOUR LILITAB YOU WILL NEED:

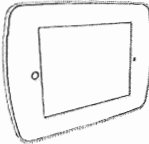
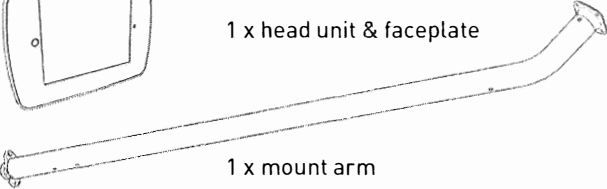




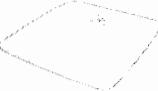



- ✓ Phillips screwdriver

TO SECURE YOUR LILITAB YOU WILL NEED:

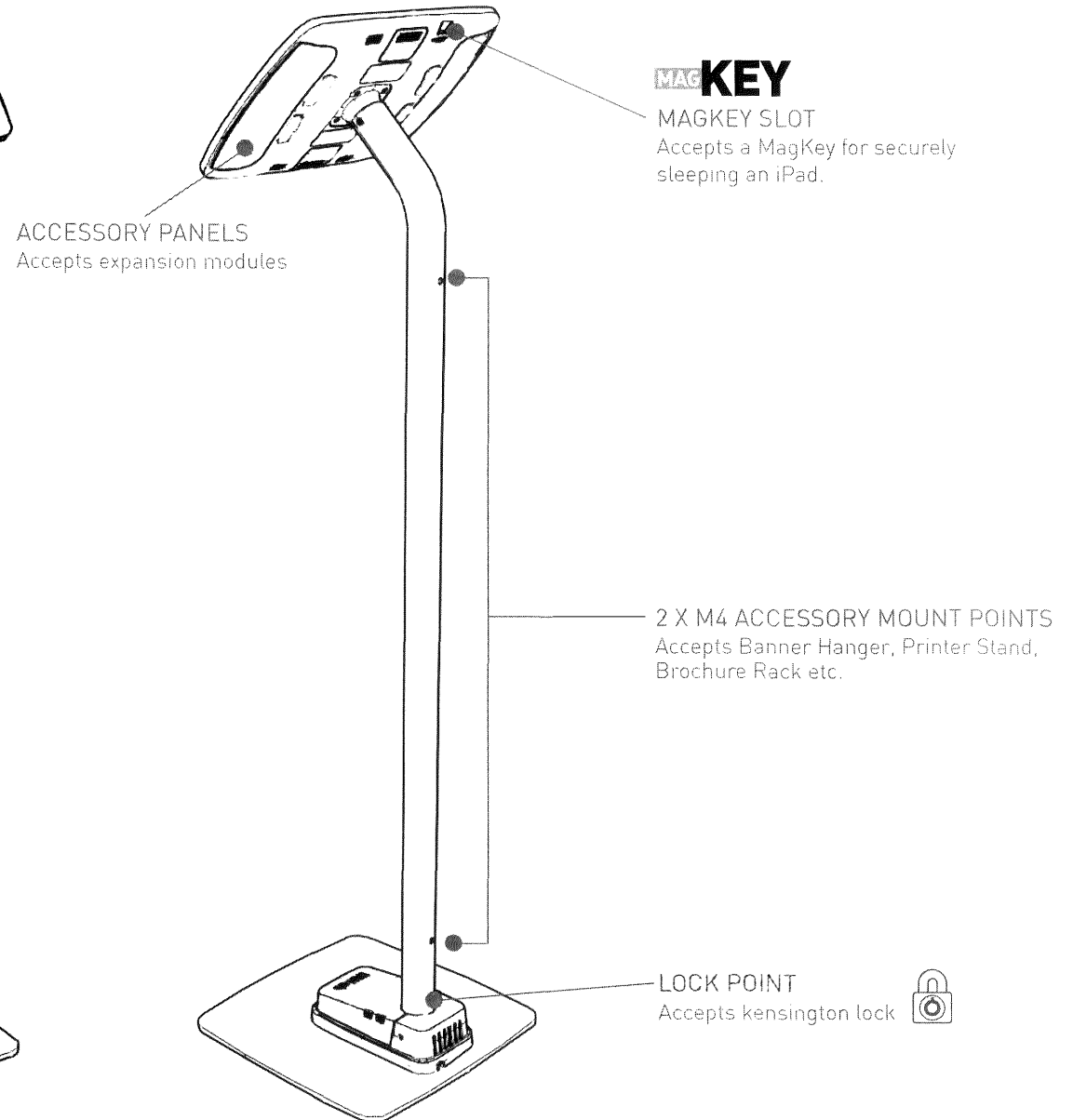
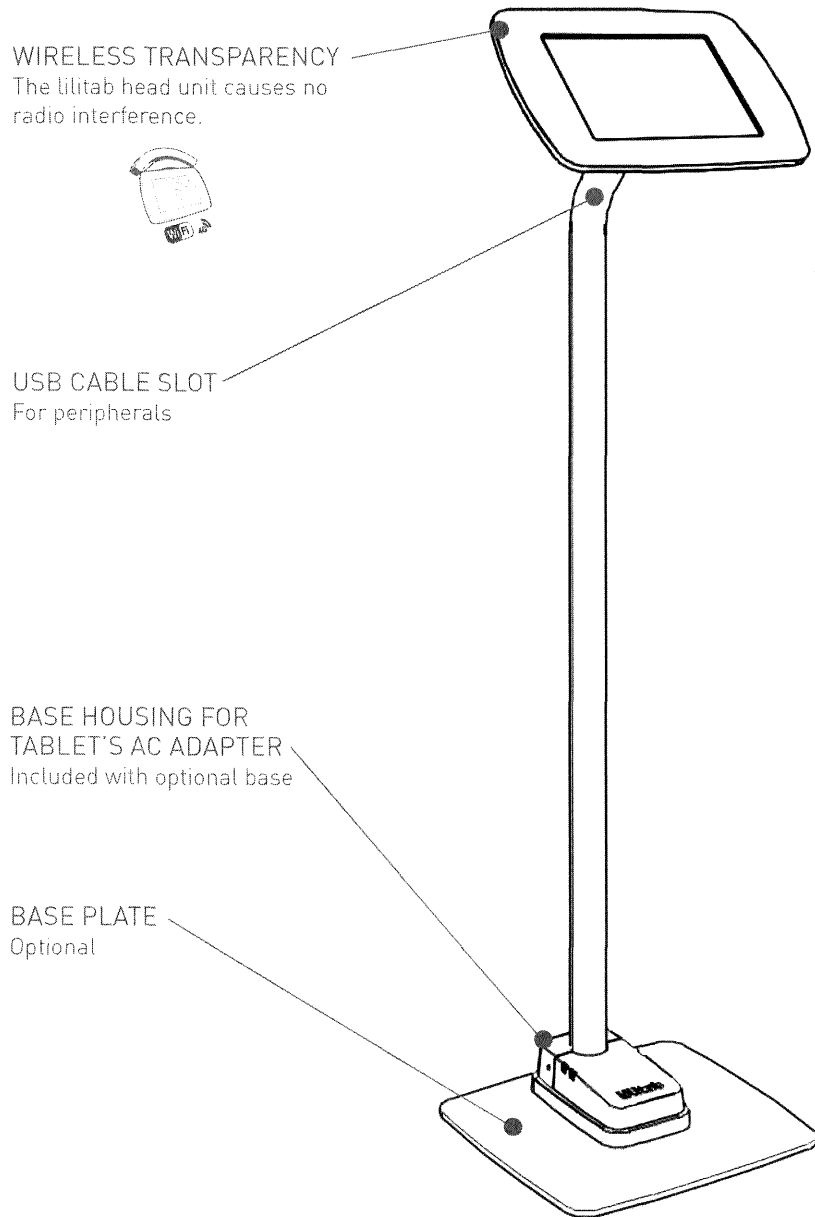
- ✓ Kensington compatible cable lock

TO BOLT YOUR LILITAB TO THE FLOOR YOU WILL NEED:

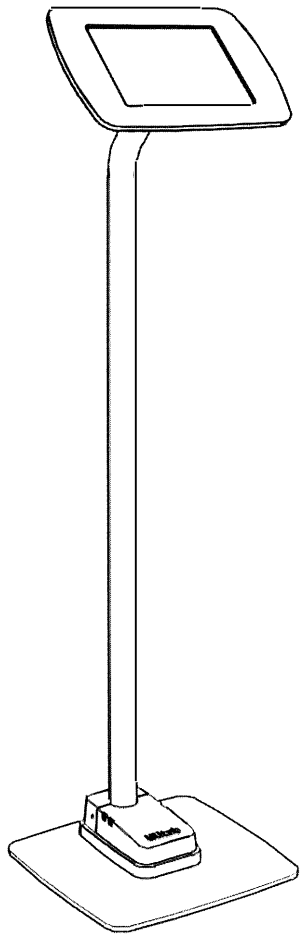
- ✓ Powered drill/driver, preferably with impact action
- ✓ Socket wrench with a neck of at least 5", this may require a socket extension
- ✓ 2 x bolts, wood screws or other fastener suitable for your floor's substrate (m6, no.14 or 1/4" diameter)

PACKING LIST	
	1 x head unit & faceplate
	1 x mount arm
	1 x foot cover (included when purchased without base)
	1 x MagKey
	4 x head mount security screws
	1 x L key
Optional Base Plate Items	
	1 x base plate
	1 x base housing and cover
	4 x base screws (2x short; 2x long)
	2 x base security screws

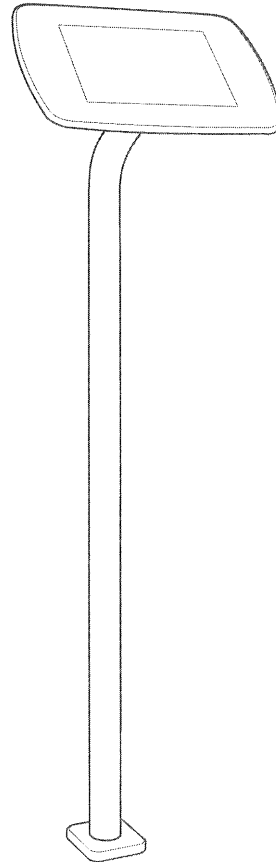
FEATURES



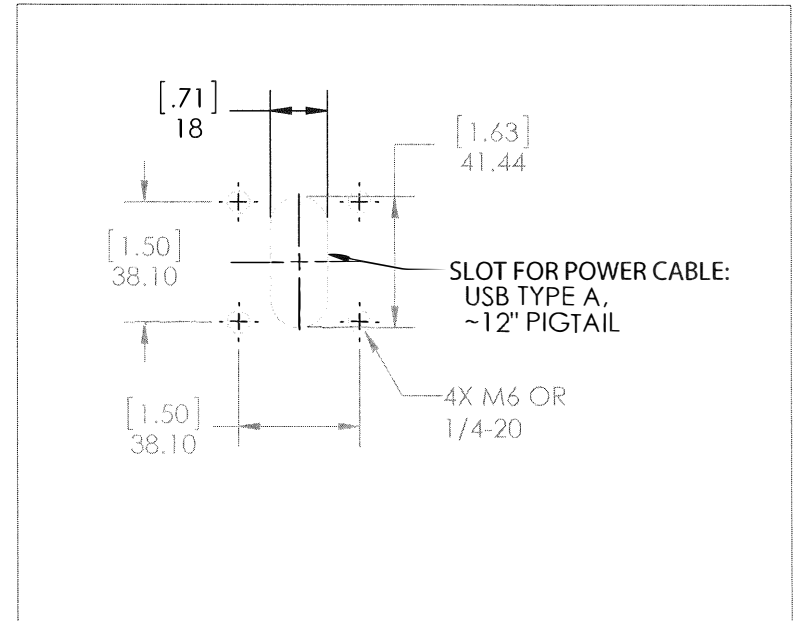
MOUNT OPTIONS



FREE STANDING WITH OPTIONAL
BASE PLATE AND BASE HOUSING

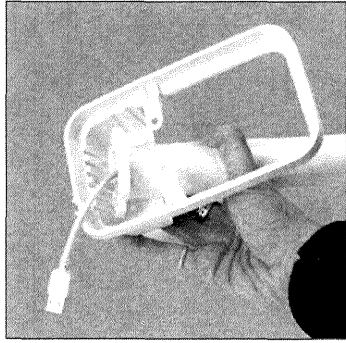


BOLT DIRECTLY TO THE FLOOR
(SHOWN WITH LOW-PROFILE FOOT COVER)

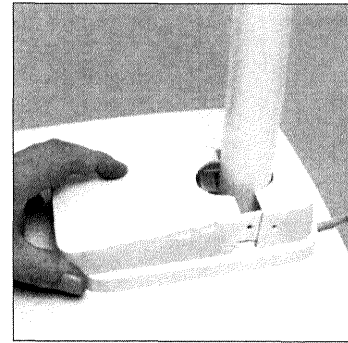


MOUNTING PATTERN

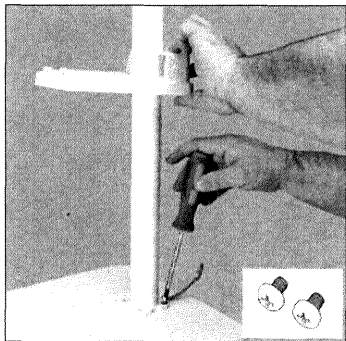
ASSEMBLY INSTRUCTIONS



1. Thread the charge and sync cable through the pole. Then insert the pole mount into the base housing on an angle to clear the welded flange.

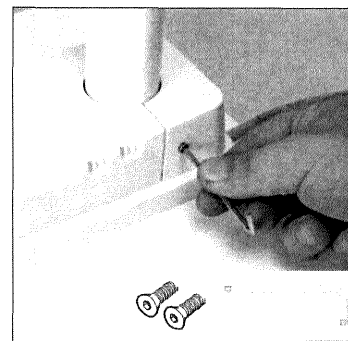


4. Attach the base housing cover by sliding it into place.

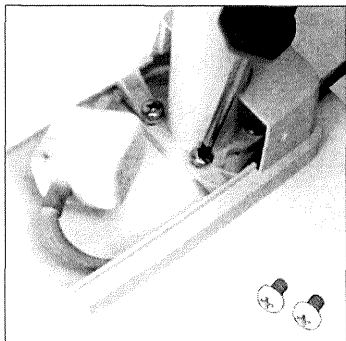


2. Attach base plate. Position pole mount over the base plate. Using the **two short base screws** provided, bolt through the welded flange's two rear-most openings closest to the cable egress slot.

NOTE: You will need to hold the base housing up and out of your way while bolting.



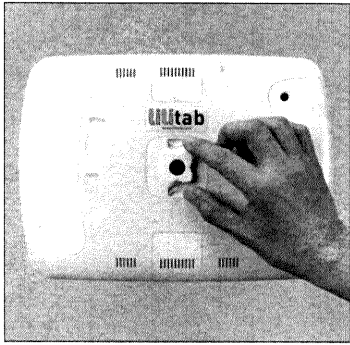
5. Secure the base cover using the **two base security screws** and **L key** provided.



(iPad AC adapter shown)

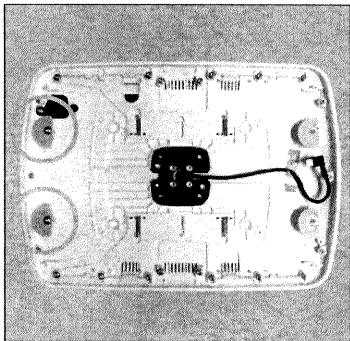
3. **Connect and position cables:**
 1. Connect the usb cable to the tablet's AC adapter. Then connect the adapter to your extension cord.
 2. Position both cables underneath the two mount flanges. The extension cord should exit the rear of the housing.
 3. Screw down the base housing using the **two long base screws** provided.

ASSEMBLY INSTRUCTIONS

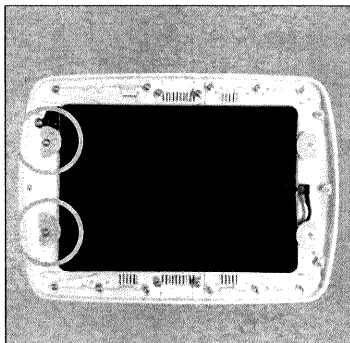


1. **Open the lilitab head unit** by placing it facedown on a clean surface and squeezing the finger latches together as shown. Carefully lift up and the faceplate will come off, allowing access to the inside of the head unit.

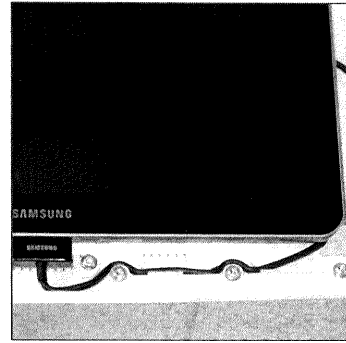
NOTE: Pro unit shown.



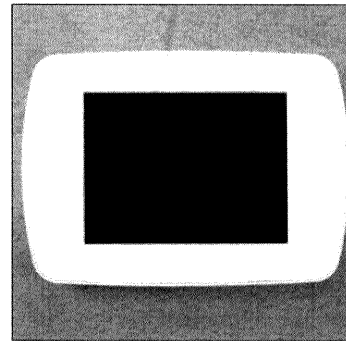
2. **Place the head unit onto a clean surface** with the inside of the enclosure facing up (with the cable on the right side). Rotate the **green "rotational keepers"** on the left side of the enclosure such that the #2 is closest to the outside edge.



3. **Plug the cable that came with your kiosk into your tablet.** Slide the tablet under the keepers on the right side ensuring your tablet is centered inside the enclosure. Rotate the keepers on the left side such that the number "2" is closest to the center of the tablet as shown in the photo to the left.



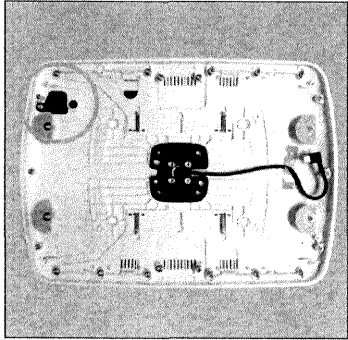
4. If you are installing a charge cable for a Samsung device or other device with a cable centered on the long edge, use the cable routing clips as shown to ensure everything fits properly.



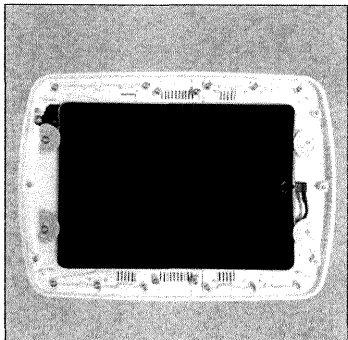
6. **Position the faceplate** over the tablet such that its openings are oriented as you wish (faceplates have different combinations of home button and camera openings). Gently press down around the edge of the faceplate and it will snap into place.

NOTE: If the faceplate does not snap into place evenly (or if one or more corners is lifting up) ensure that all four of the green rotational keepers are positioned so the number "2" is closest to the center of the tablet.

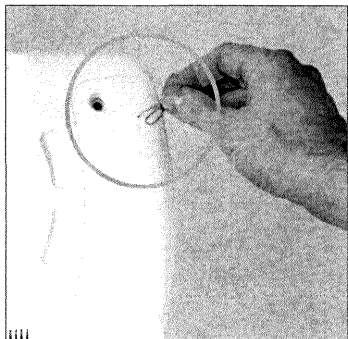
USING THE IPAD POWER BUTTON TRIGGER



1. You can actuate the power button located on the edge of your iPad 2, 3, 4 using the black Power Button Trigger shown to the left.

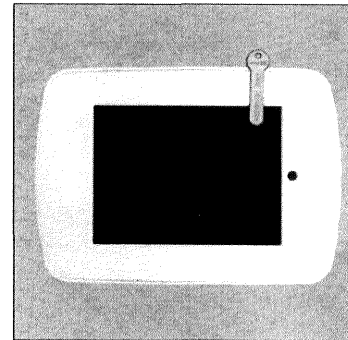


NOTE: Here's an iPad installed in the correct orientation with the Power Button Trigger next to the iPad's power button.

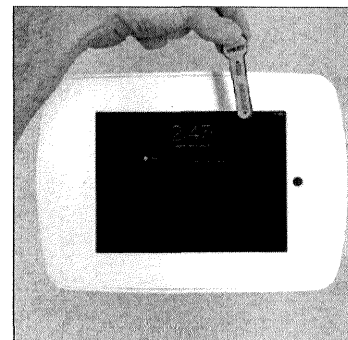


2. Once installed you can actuate the Power Button Trigger via a paper clip inserted into the small opening on the rear below the camera opening.

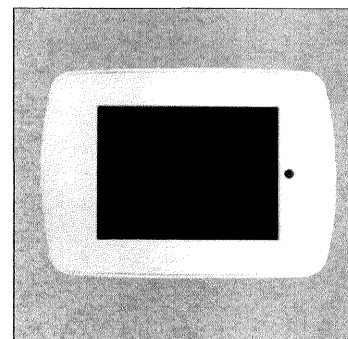
USING THE MAGKEY



1. You can use the included MagKey with an iPad Air. The MagKey allows you to sleep the iPad without having any access to it. This ensures you (and your staff) can turn your kiosk on and off at the end of the day without removing the iPad. You'll always know when the iPad is sleeping because the MagKey attaches to the face of the unit (as shown).



2. To put your iPad to sleep, snap your MagKey, with the orange side facing up, to the front on your lilitab.

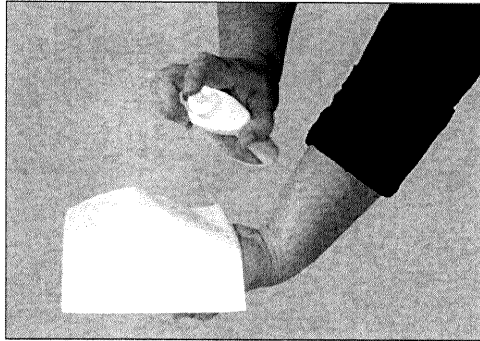


3. To wake your iPad, remove the MagKey and it will resume right where it left off before it went to sleep.

NOTE: The MagKey is compatible with iPad Air. It requires that the iPad Cover Lock/Unlock preference is turned on. You can find this in Settings→ General→ iPad Cover Lock/Unlock.

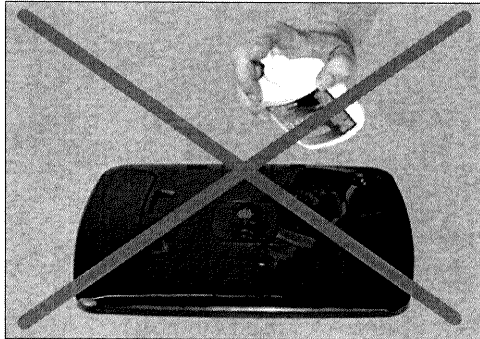
Replacement MagKeys can be ordered directly from the website: www.lilitab.com

LILITAB CLEANING INSTRUCTIONS

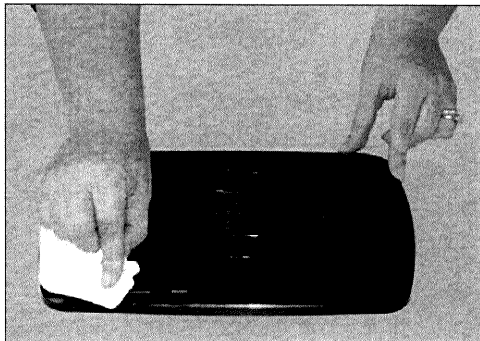


1. **Spray** the Brillianize onto one of the cloths provided.

WARNING: Other cloth/material may mar the surface of your lilitab



2. **DO NOT** spray directly onto your lilitab!



3. **Rub gently** in a circular motion to remove fingerprints and dirt.

WARNING: Applying excess pressure can mar the surface of your lilitab.

PLEASE READ!!!

IMPORTANT NOTICE!!!

Your included iPad devices are in an unlocked Kiosk mode status; this will allow you to connect the devices to your WIFI network. **PLEASE contact** Alan.Pine@library.ks.gov with the **CASE NUMBER** that you received **AFTER** you have connected **BOTH** iPad's to your WIFI network **AND** you have opened the **MokiTouch 2** Kiosk application on **BOTH** so the app can be locked again. **If you're not planning to use both iPad the iPad number on the back of the iPad will need to be sent to the email address above.**

Before shipping to the next destination and while the iPad is connect to your WIFI network, **PLEASE contact** Alan.Pine@library.ks.gov so that the devices can be unlocked again so the new location can add them to **THEIR WIFI** network.

State Library Technical Contact
Alan Pine - 785-296-2610
[Alan .Pine@library.ks.gov](mailto:Alan.Pine@library.ks.gov)

lilitab

QUESTIONS?

We're here to help!

EMAIL: support@lilitab.com

PHONE: (888) 705 0190